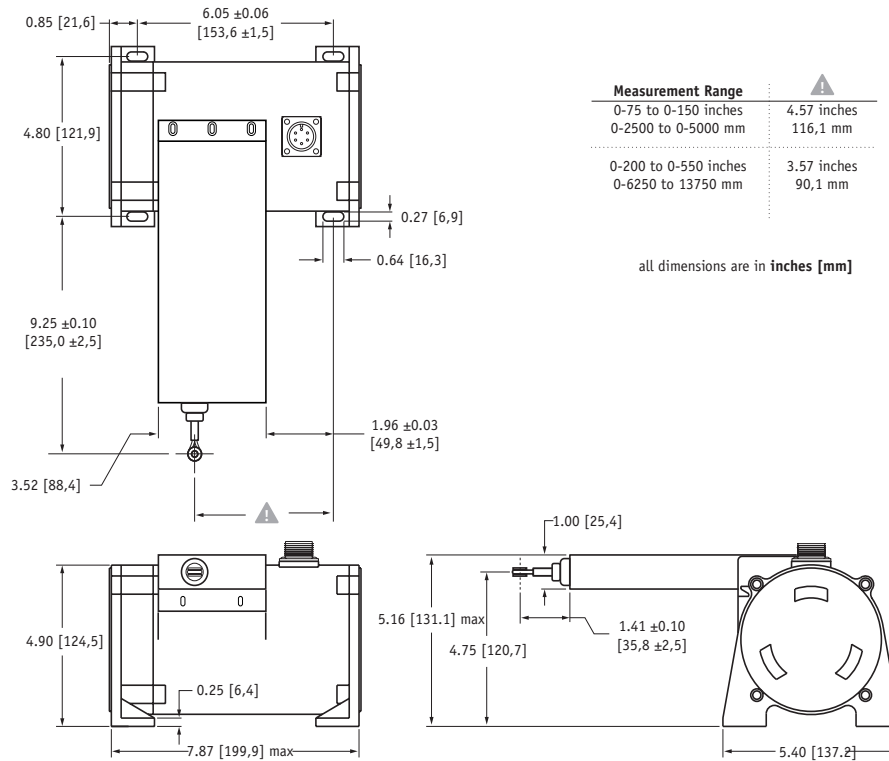


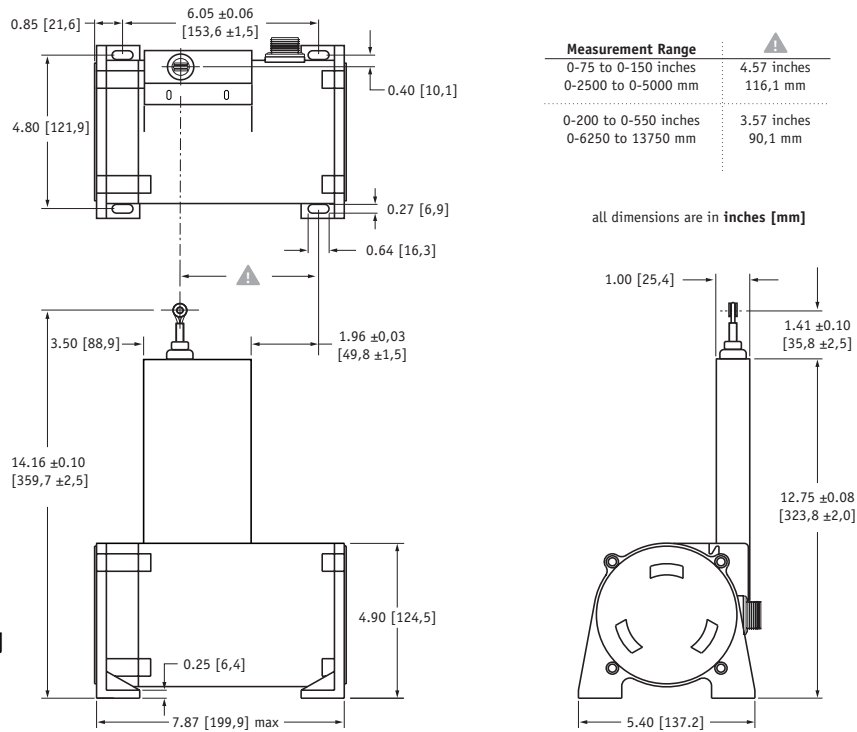


**Front Cable Exit Option**



Note: Dimensions not valid for "increased cable tension" option. Consult factory for dimensions.

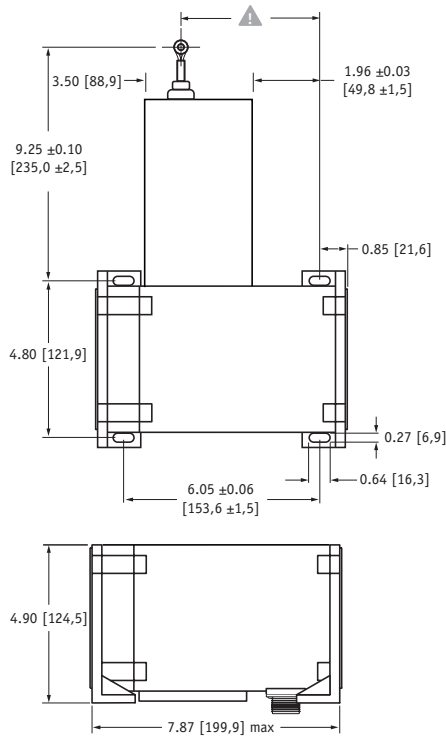
**Top Cable Exit Option**



Note: Dimensions not valid for "increased cable tension" option. Consult factory for dimensions.

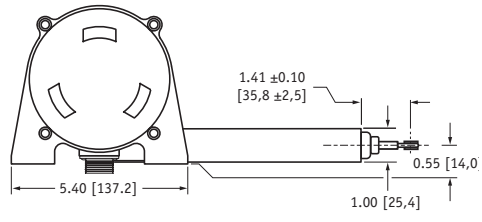
北京赛斯维测控技术有限公司  
 北京市朝阳区望京西路48号  
 金隅国际C座1002  
 电话: +86 010 8477 5646  
 传真: +86 010 5894 9029  
 邮箱: [sales@sensorway.cn](mailto:sales@sensorway.cn)  
<http://www.sensorway.cn>

**Rear Cable Exit Option**



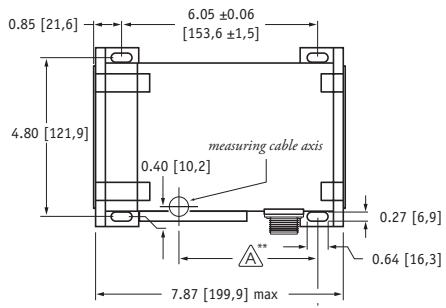
| Measurement Range     | $\Delta$    |
|-----------------------|-------------|
| 0-75 to 0-150 inches  | 4.57 inches |
| 0-2500 to 0-5000 mm   | 116,1 mm    |
| 0-200 to 0-550 inches | 3.57 inches |
| 0-6250 to 13750 mm    | 90,1 mm     |

all dimensions are in inches [mm]



Note: Dimensions not valid for "increased cable tension" option. Consult factory for dimensions.

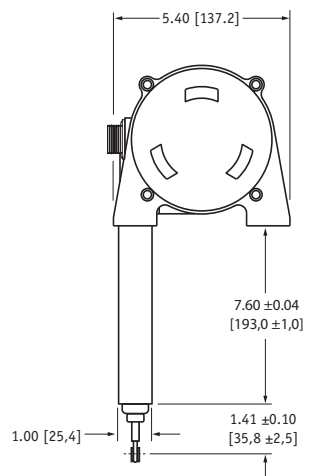
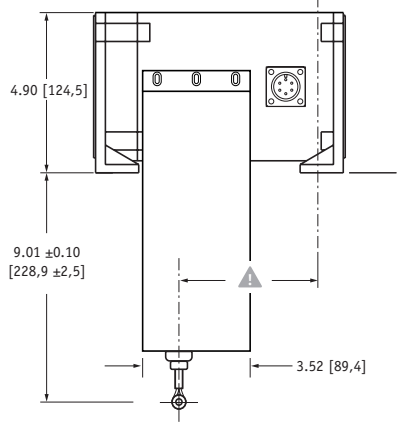
**Bottom Cable Exit Option**



| Measurement Range     | $\Delta$    |
|-----------------------|-------------|
| 0-75 to 0-150 inches  | 4.57 inches |
| 0-2500 to 0-5000 mm   | 116,1 mm    |
| 0-200 to 0-550 inches | 3.57 inches |
| 0-6250 to 13750 mm    | 90,1 mm     |

all dimensions are in inches [mm]

\*\*Note: see "A" dimension on PT9000 outline drawing



Note: Dimensions not valid for "increased cable tension" option. Consult factory for dimensions.

version: 1.0 last updated: March 30, 2005