

SPD

Compact, High-Performance • Dual Output to 50"

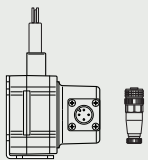
Comes With Both 4...20mA and 0...10V Output
 Rugged IP67 Polycarbonate Enclosure
 Mounting Bracket & Sensor Cover Adjusts for Easy Installation
IN STOCK for Quick Delivery!

SPECIFICATIONS

| | |
|---|---|
| Full Stroke Range Options | 0-4.75 to 0-50 inches |
| User Selectable Output Signal | 4...20 mA (2-wire) / 0...10 Vdc |
| Input Voltage, 4...20 mA option | 8-40 VDC |
| Input Voltage, 0...10 Vdc option | 12-32 VDC |
| Accuracy | see ordering information |
| Repeatability | .05% FS. |
| Resolution | essentially infinite |
| Measuring Cable | .019-inch dia. nylon-coated stainless steel |
| Maximum Acceleration | 13 g |
| Measuring Cable Tension | 7 oz. (1.9 N) ±30% |
| Sensor | plastic-hybrid precision potentiometer |
| Cycle Life | see ordering information |
| Electrical Connection | M12 connector (mating plug included) |
| Enclosure | glass-filled polycarbonate |
| Environmental | IP 67 |
| Operating Temperature | -40° to 160° F (-40° to 70° C) |
| Weight (includes sensor, bracket and connector) | .4 lbs (.19 kg) |

ORDERING INFORMATION

| Part No. | full stroke range | accuracy (% of f.s.) | cycle life |
|-----------------|-------------------|----------------------|-------------|
| SPD-4-3 | 4.75 in (120 mm) | 1.00% | 2.5M cycles |
| SPD-12-3 | 12.5 in (317 mm) | 0.25% | 500K cycles |
| SPD-25-3 | 25 in (635 mm) | 0.25% | 500K cycles |
| SPD-50-3 | 50 in (1270 mm) | 0.25% | 250K cycles |



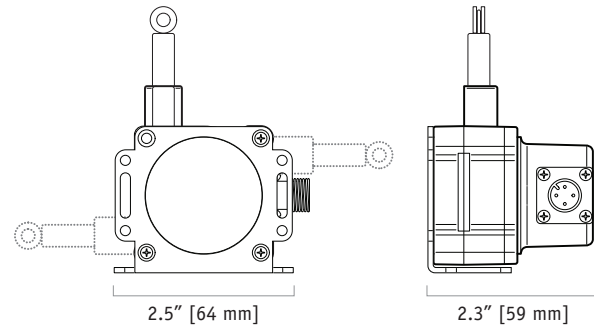
includes sensor, mounting bracket & mating connector.



4-pin M12 connector
 13 ft (4 m)
 22 AWG (.34mm²)

Optional Cordset **9036810-0040**

for short-run connections, a convenient optional 13-ft. cordset with a 4-pin M12 connector is available.

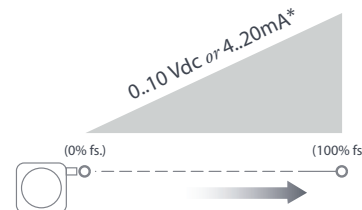


This compact stringpot provides the ultimate in ease-of-use and flexibility. This sensor fits in small spaces, doesn't need perfect alignment, mounts in just about any direction imaginable and has a unique circuit that lets the user choose 4-20mA or 0-10Vdc output on the fly.

The SPD comes in 4 different stroke ranges up to 50 inches and is constructed with a rugged polycarbonate body sealed against IP67 (wet) environments for both indoor and outdoor applications. Every unit ships with a stainless steel mounting bracket that lets the user easily point the measuring cable in the direction needed.

High value and economical price makes this sensor the perfect choice for the OEM and single-piece user alike. Customer specific designs available for the OEM, please contact factory for more information.

Output Signal:



| Output Signal* | signal endpoint tolerances | |
|----------------|----------------------------|--------------|
| | 0% fs. | 100% fs. |
| 4...20 mA | 4 - 4.25 mA | 19.2 - 20 mA |
| 0...10 Vdc | 0 - .2 Vdc | 9.5 - 10 Vdc |

*note: signal endpoints are set at the time of manufacture and cannot be adjusted

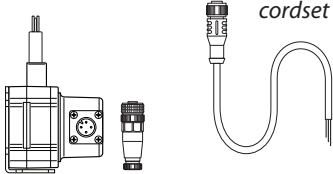
20630 Plummer Street • Chatsworth, CA 91311
 tel: 800.423.5483 • +1.818.701.2750 • fax: +1.818.701.2799



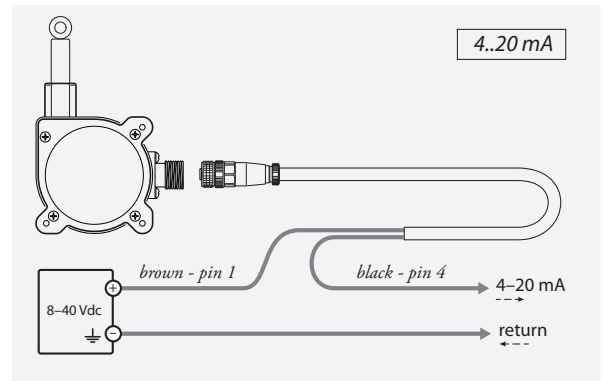
celesco
 www.sensorway.cn • sales@sensorway.cn

Electrical Connection:

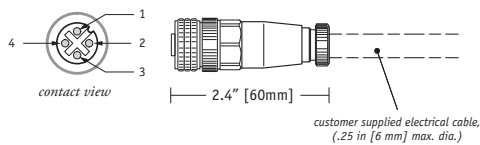
Output Signals



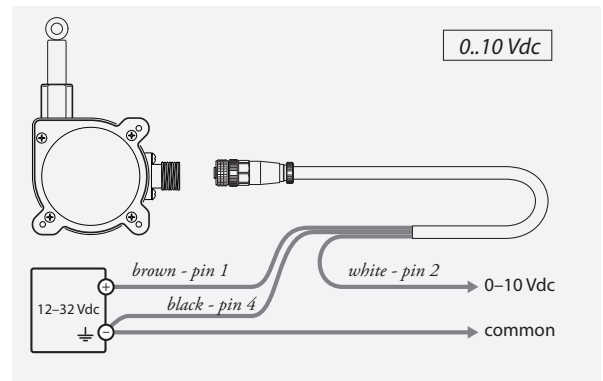
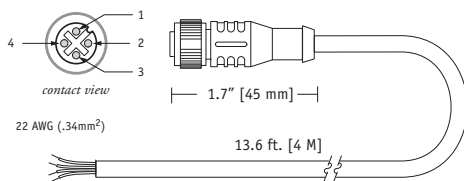
| 0...10 Vdc | 4...20 mA | pin | pin - colorcode |
|-------------|------------|-----|-----------------|
| 12...32 Vdc | 8...40 Vdc | 1 | 1 - brown |
| 0...10 Vdc | n/c | 2 | 2 - white |
| n/c | n/c | 3 | 3 - blue |
| common | 4...20 mA | 4 | 4 - black |



field installable connector (included)

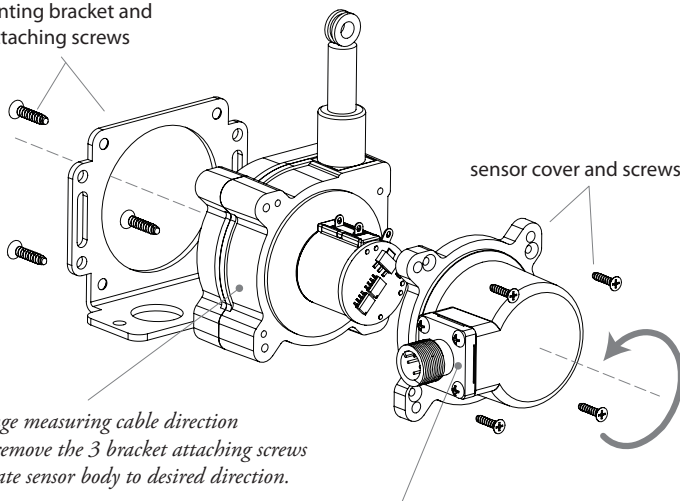


cordset, part no. 9036810-0040 (optional)



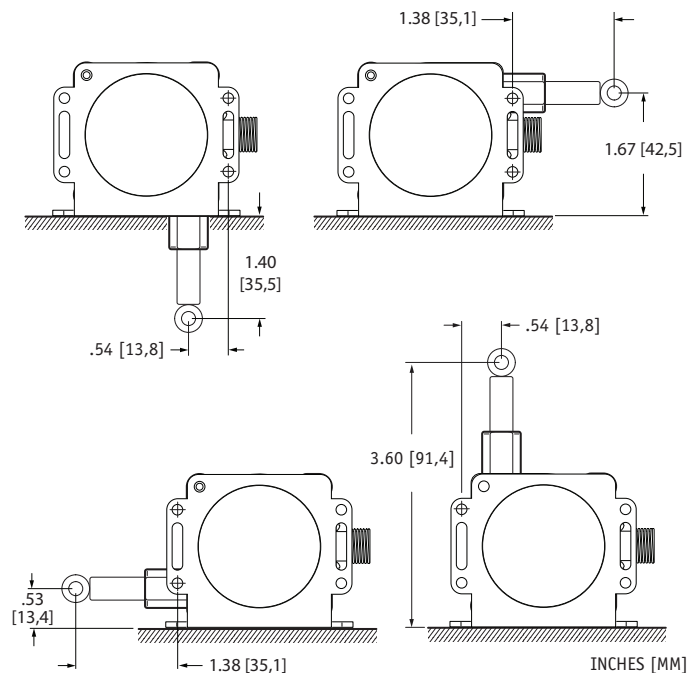
Mounting Options:

mounting bracket and attaching screws

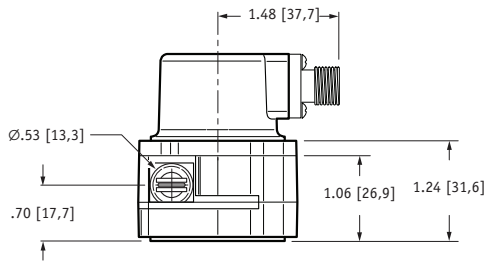


To change measuring cable direction simply remove the 3 bracket attaching screws and rotate sensor body to desired direction.

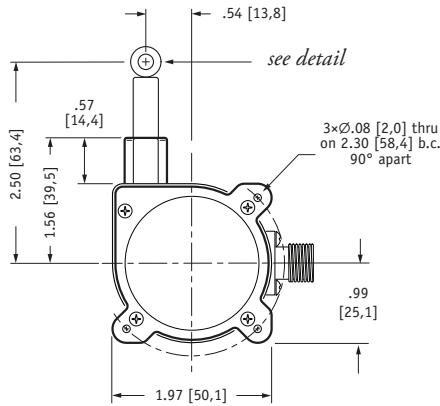
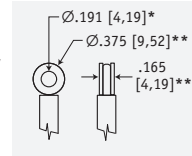
Connector orientation can be changed to 1 of 4 positions. Simply remove the 4 cover screws and rotate cover and replace screws.



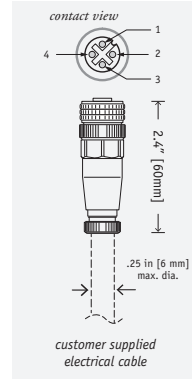
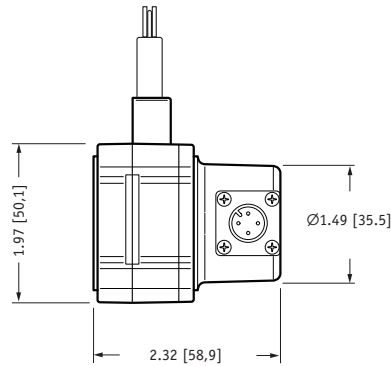
SPD-xx-3 w/o Mounting Bracket:



eyelet detail



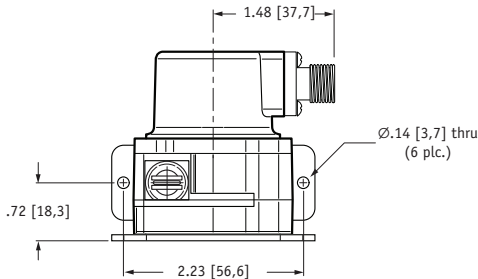
mating plug (included)



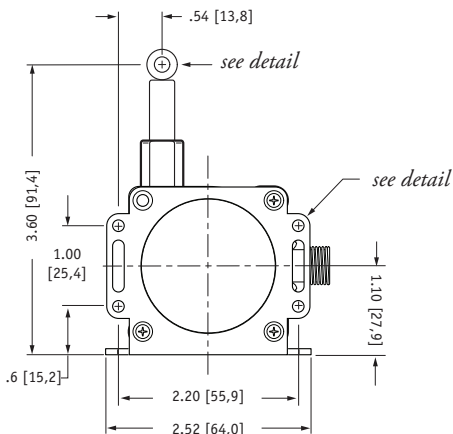
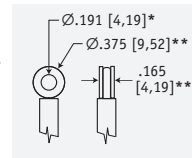
DIMENSIONS ARE IN INCHES [MM]
tolerances are 0.04 IN. [1,0 MM] unless otherwise noted.

* tolerance = +.005 -.001 [+0,1 -0,0]
** tolerance = +.005 -.005 [+0,1 -0,1]

SPD-xx-3 w/ Mounting Bracket:

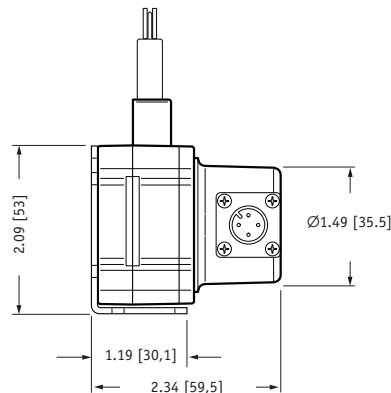
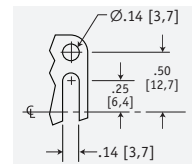


eyelet detail



bracket detail

北京赛斯维测控技术有限公司
北京市朝阳区望京西路48号
金隅国际C座1002
电话：+86 010 8477 5646
传真：+86 010 5894 9029
邮箱：sales@sensorway.cn
http://www.sensorway.cn



DIMENSIONS ARE IN INCHES [MM]
tolerances are 0.04 IN. [1,0 MM] unless otherwise noted.

* tolerance = +.005 -.001 [+0,1 -0,0]
** tolerance = +.005 -.005 [+0,1 -0,1]